

Series PTH

PTH 1000-1200-1400 /820/1000

ENG



## DRUM CHIPPERS

*Whatever wood, the best chips*



GREENLINE



## PTH 1000

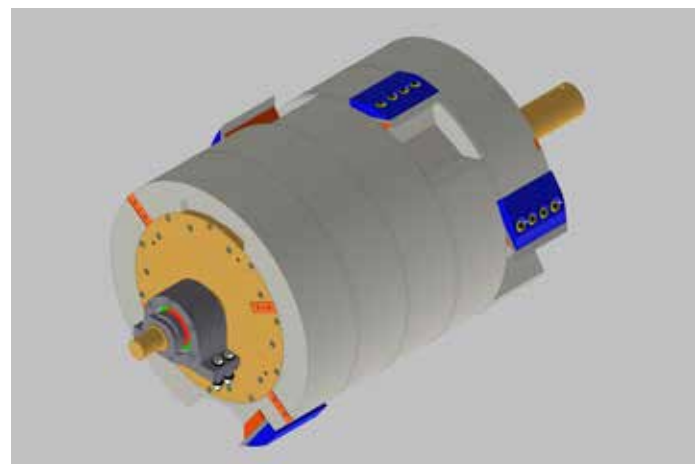
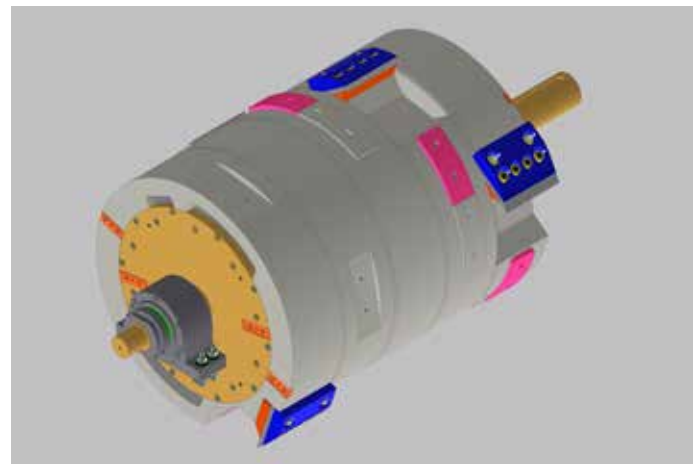
Heavy-duty machines within the Pezzoloto line of drum chippers, to chip big diameter logs, their drum diameter measures 1000 mm. The feeding mouth and the drum width distinguish the three models. Ideal for producing large quantities of wood chips, with high yield guaranteed.

Powered by tractor Power Take Off or provided with autonomous diesel engine.

The Pezzoloto solid drum, well-known for reliability, wear-resistance and no maintenance, has been designed to guarantee the best quality wood chips, either small or big dimensions. It is staggered section type in order to distribute the machine's effort equally, reducing vibrations, noise and consumption.

The sharp cut through the blades and the large drum's inertia reduce the machine's efforts and stress, thus confirming the well-known solidity of Pezzoloto drum chippers.

The wear spare parts of all machines are cost effective and simple to replace in short maintenance times and cheap. The integrated computer suggests any ordinary and extraordinary maintenance operations to be performed according to the manufacturer's maintenance plan.





## ► Pezzolato, a 360° company

### REALISATION

A continuous R & D program supports Pezzolato's development and manufacturing. Wholly performed in house, own specialised personnel follow every single step up to the delivery of all machines.

### COMPONENTS

All hydraulic, electric and electronic components mounted on Pezzolato chippers are supplied exclusively by prime-quality European manufacturers.

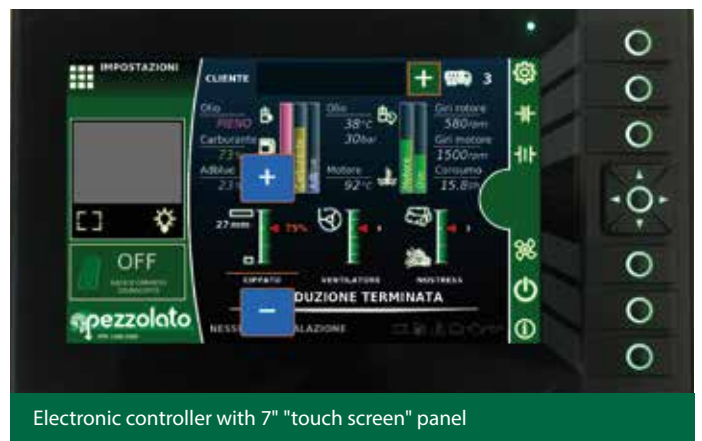


### ASSISTANCE

Technical assistance is provided quickly and performed by own personnel. Specialised Pezzolato technicians are always available to intervene directly or to support local authorised dealers and service facilities.

### SPARE PARTS

Thanks to its large stock, Pezzolato is able to send and deliver any spare parts at customers' premises all over the world, within 24/48 hours.



Electronic controller with 7" "touch screen" panel



## PTH 820

Medium-heavy-duty machines within the Pezzolato line of drum chippers, their drum diameter measures 820 mm. Able to produce up to 180 m<sup>3</sup>/h of wood chips, with high yield guaranteed. The feeding mouth and the drum width distinguish the two models.

Powered by tractor Power Take Off or provided with autonomous diesel engine.

The Pezzolato solid drum, well-known for reliability, wear-resistance and no maintenance, has been designed to guarantee the best quality wood chips, either small or big dimensions. It is staggered section type in order to distribute the machine's effort equally, reducing vibrations, noise and consumption.

The sharp cut through the blades and the large drum's inertia reduce the machine's efforts and stress, thus confirming the well-known solidity of Pezzolato drum chippers. The wear spare parts of all machines are cost effective and simple to replace in short maintenance times and cheap.

The integrated computer suggests any ordinary and extraordinary maintenance operations to be performed according to the manufacturer's maintenance plan.





## EXTRAS AND CONFIGURATIONS

- ✓ Discharge belt as an alternative to the fan, for even higher quality wood chips
- ✓ Iron track for independently moving the machine in marshy areas or in the factory yard by adding “rubber” pads
- ✓ Trailers certified to European standards (C.O.C certificate) up to 60 Km/h



### Sliding base

Optimizes weight distribution and compacts the machine during transport. Helps feeding the chipper thanks to a greater distance between the crane and the hopper.



Closed machine-for transportation



Open machine-for operation



Crane drive with machine motor



## EXTRAS AND CONFIGURATIONS

- ✓ Feeding hopper with hydraulic rollers to chip logs and to reduce the presence of soils and barks in the outlet wood chips

---

- ✓ C-shaped Woodsplitter with or without chain saw

---

- ✓ Forestry cranes, with or without cabin, in customised configuration



### Hydraulic fan

With continuous speed adjustment allows to adjust the rpm according to the real need, thus reducing energy consumption and the production of fines



Fan hydraulic motor



Fan at average speed



Fan at maximum speed



## EXTRAS AND CONFIGURATIONS

- ✓ Extension for hydraulic tilting hopper, aids feeding certain types of material

---

- ✓ Automatic greasing system

---

- ✓ Hydraulic opening counter-blade



### Accumulation hopper

Sides for turning the loading hopper into an accumulation hopper and which allow the machine to handle feeding of very short material even with the aid of a bucket.



Quick attachments for hopper sides



Dimensions accumulation hopper PTH 1200/1000



## EXTRAS AND CONFIGURATIONS

- ✓ Sieving grids for chip calibration with different sizes, easy to replace

---

- ✓ System for replacing grid with electric winch

---

- ✓ Radio remote control to manage the chipper's main activities at a distance

---

- ✓ Second pump supply and hydraulic system reshaping for crane actioning by the engine of the machine

---

- ✓ Hydraulic drum rotation starter for model powered by the tractor's power take off in the absence of a progressive movement clutch

---

- ✓ Hook-lift system

---

- ✓ Inspection camera

---

- ✓ Black box for fleet management and consumption controls

---

- ✓ Discharge telescopic tube



Telescopic tube



# TECHNOLOGY

## ► Pezzolato cutting technology

The cutting system used by Pezzolato consists of a closed stagger sections drum equipped with knives, a counter-blade and a sieving grid with interchangeable calibration.

This system assures the production of quality chips since the closed drum keeps the chips cutting length fixed and constant. The wood undergoing the knife action is transformed into calibrated chips, which can pass through

the calibration grid immediately after the cut.

Whatever is the need of the customer, either micro-chips for pellet production or extra large chips for the improvement of the big heaters/boilers performance, Pezzolato knows and offers the best cutting technology, thanks to the deep knowledge in Mechanics and the constant R&D of specific solutions.



## CUTTING SOLUTIONS

### STANDARD CUT GROUP

Cut group for the maximum exploitation of the wear components composed by:

- Under knife fixed to the drum by means of screws;
- Knife with eyelets (easy extraction and adjustment of the rear screws);
- Press knife with multiple stud bolts for a facilitated screwing.



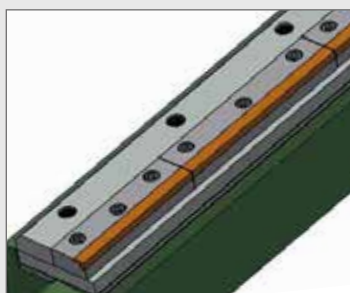
### SYSTEM FOR THE FIXING OF THE KNIVES TO THE DRUM "QUICK&SMART"

- Knife-support fixed to the drum by means of screws;
- Knife only 60 mm width and 7 mm thick;
- Conical press knife: it allows the blocking of the knife with only 200 Nm, assuring an easy substitution;
- Moderate costs and short times in case of damages to the knives due to the presence of foreign bodies in the biomass.



## COUNTER-BLADE

The counter-blade is composed by 6 independent elements. This feature allows, in case of wear or damage, the partial change of the sole worn-out or damaged parts avoiding to restore the complete block and thus saving on the maintenance costs. It is available in two wear proof versions: CHIPPER (steel for tools) or with a standard steel base and a reinforced part (hard metal with tungsten carbides).



# TECHNICAL FEATURES

## ► PTH 820 series

|                                      |                   | PTH 1000/820      | PTH 1200/820      | PTH 1400/820      |
|--------------------------------------|-------------------|-------------------|-------------------|-------------------|
| Minimum tractor power                | Hp/kW             | 200/147           | 200/147           | 250/184           |
| Maximum tractor power                | Hp/kW             | 330/243           | 330/243           | 330/243           |
| Diesel motor power                   | Hp/kW             | 408/304 - 700/515 | 408/304 - 700/515 | 510/379 - 700/515 |
| Maximum chipping diameter soft wood* | mm                | 600               | 600               | 600               |
| Maximum chipping diameter hard wood* | mm                | 450               | 450               | 450               |
| Blades**                             | n°                | 4                 | 5                 | 5/6               |
| Hourly throughput*                   | m <sup>3</sup> /h | up to 150         | up to 180         | up to 200         |
| Drum diameter                        | mm                | 820               | 820               | 820               |
| Drum width                           | mm                | 1000              | 1200              | 1400              |
| Feeding chain width                  | mm                | 1000              | 1200              | 1400              |
| Feeding chain length                 | mm                | 2200              | 2000              | 2000              |
| Hopper width                         | mm                | 1800              | 2000              | 2000              |
| Maximum inlet passage                | mm                | 1000 x 900        | 1200 x 900        | 1400 x 1100       |
| Weight motor machine (std model)     | kg                | 14900             | 15000             | 17000             |
| Weight PTO machine (std model)       | kg                | 11.300            | 13000             | 14000             |

\* Diameters and declared production are variable according to the available power, wood type and chip size.

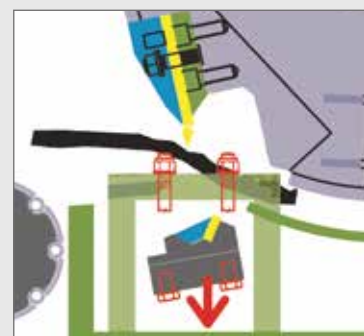
\*\* In the case of a double cut system, the number of blades doubles.



## Security against the introduction of foreign bodies

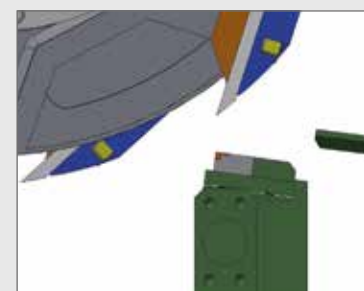
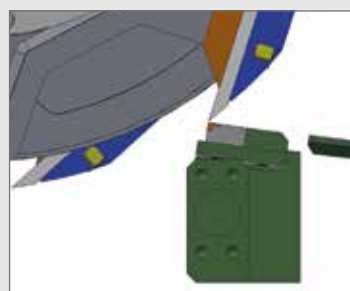
### COLLAPSIBLE COUNTER-BLADE

It's mounted on a running slide and secured with adjusted shear bolts. Whenever a hard body is accidentally entered into the chipper, the bolts are sheared and the counter-blade falls down, so that the foreign body exits before causing damages.



### HYDRAULIC OPENING COUNTER-BLADE

The chipper can be equipped, on request, with a counter-blade assembled on a semi-spherical guide, fixed to a hydraulic cylinder, connected to a Nitrogen plenum chamber. Should metal parts, stones or concrete (etc.) enter into the machine, the plenum chamber immediately discharges, so that the counter-blade opens itself giving space to the foreign part. When the counterblade opens, the supply system inverts and, in case of independent motor, the clutch disengages, thus avoiding problems to the machine.





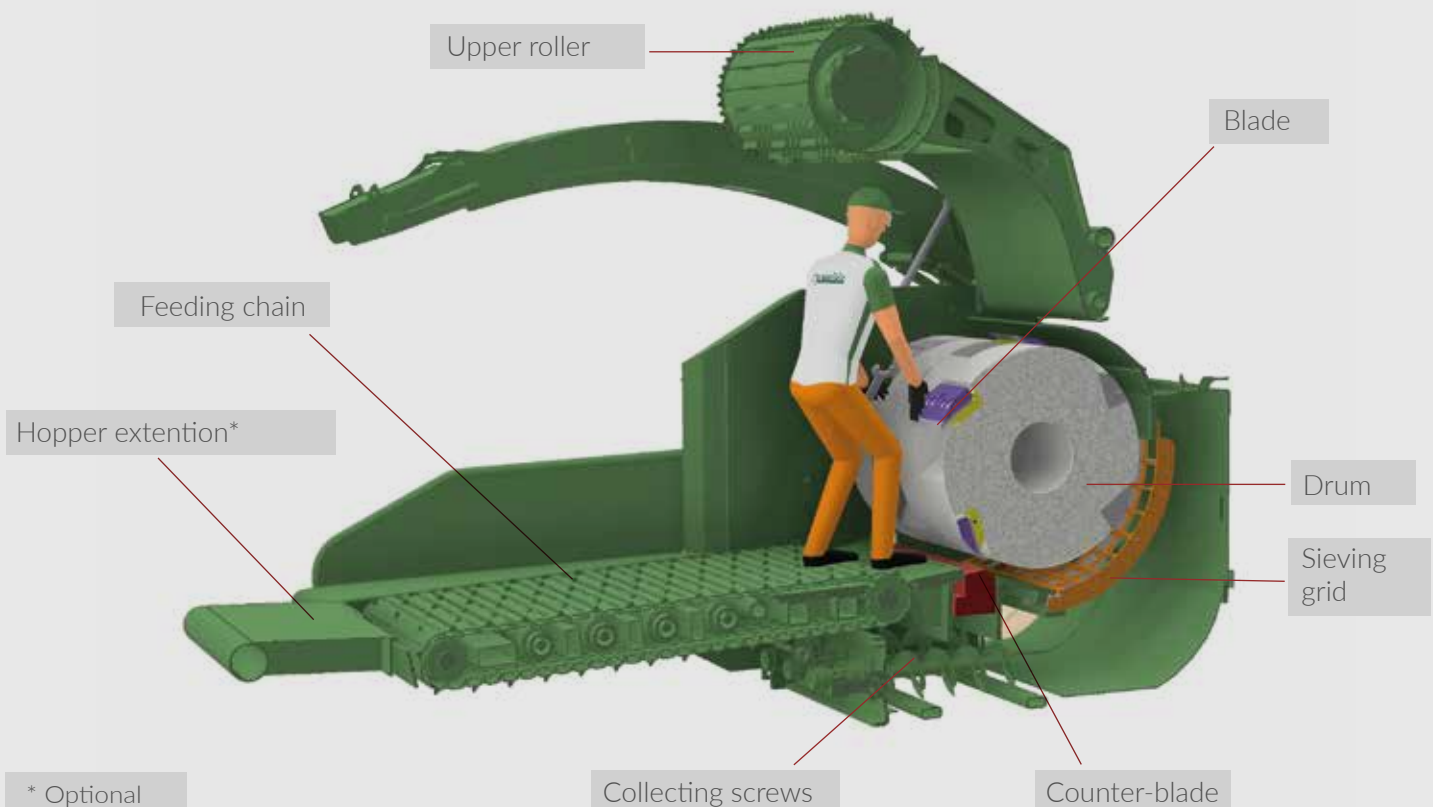
## ▶ PTH 1000 series

|                                      |                   | PTH 1000/1000     | PTH 1200/1000      | PTH 1400/1000      |
|--------------------------------------|-------------------|-------------------|--------------------|--------------------|
| Minimum tractor power                | Hp/kW             | 200/147           | 200/147            | 250/184            |
| Maximum tractor power                | Hp/kW             | 520/388           | 520/388            | 600/441            |
| Diesel motor power                   | Hp/kW             | 510/379 - 800/597 | 684/510 - 1050/783 | 796/585 - 1050/783 |
| Maximum chipping diameter soft wood* | mm                | 800               | 800                | 800                |
| Maximum chipping diameter hard wood* | mm                | 550               | 550                | 550                |
| Blades**                             | n°                | 4                 | 5                  | 5/6                |
| Hourly throughput*                   | m <sup>3</sup> /h | up to 220         | up to 250          | over 300           |
| Drum diameter                        | mm                | 1000              | 1000               | 1000               |
| Drum width                           | mm                | 1000              | 1200               | 1400               |
| Feeding chain width                  | mm                | 1000              | 1200               | 1400               |
| Feeding chain length                 | mm                | 2200              | 2200               | 2200               |
| Hopper width                         | mm                | 1800              | 2200               | 2400               |
| Maximum inlet passage                | mm                | 1000 x 1100       | 1200 x 1100        | 1400 x 1100        |
| Weight motor machine (std model)     | kg                | 18500             | 20000              | 25000              |
| Weight PTO machine (std model)       | kg                | 16500             | 18000              | 19000              |

\* Diameters and declared production are variable according to the available power, wood type and chip size.

\*\* In the case of a double cut system, the number of blades doubles.

## PARTS OF THE PTH



# WHATEVER WOOD, THE BEST CHIPS

[www.pezzolato.com](http://www.pezzolato.com)



DEALER

Pezzolato Officine Costruzioni Meccaniche S.p.a.  
Via Provinciale Revello 89, 12030 Envie (CN) - ITALY  
Tel. (+39) 0175 278077 - Mail: [info@pezzolato.it](mailto:info@pezzolato.it)

Progress and constant research may modify some technical data and descriptions as described in this leaflet, without Pezzolato SpA warning its readers.



PTH 1000 | 10-2021 | ENG