



TL 1000 PROFESSIONAL



Firewood Disc Processors with Independent Wood Splitter

*Professional machines
to process firewood*

REDLINE

**TL 1000 PROFESSIONAL
TLA 10-12-13**



TL 1000 Professional TLA 10-12-13

Firewood disc machines TL 1000 PROFESSIONAL and TLA Series are the result of the technological development since the 80s, when Pezzolato started to produce the first band saw plants with high production capacity.

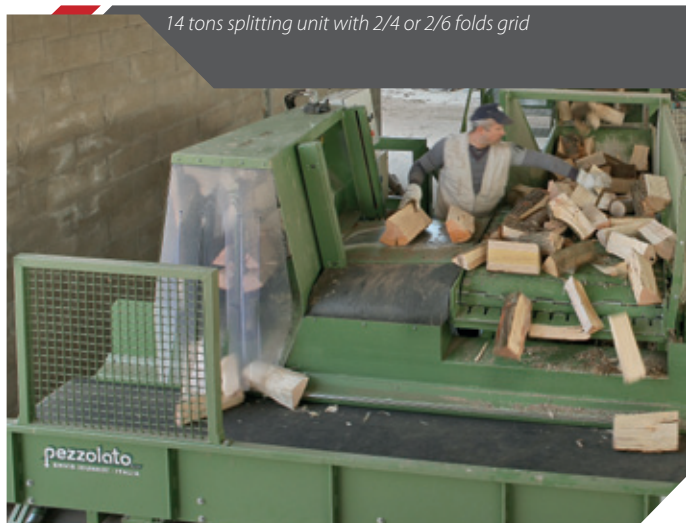
These machines are conceived to process mixed wood with different diameters and lengths.

From the control panel the operator can choose the cutting length, manually or in automatic; he also can start the log loader. After cutting, the logs fall in a cumulating S-shaped chain band with closed

meshes, which transfers them in front of the wood splitter. Here the operator splits any big log. Two operators guarantee the machine's highest productivity. One operator only, who cuts first and then splits, obtains anyway a good production capacity.

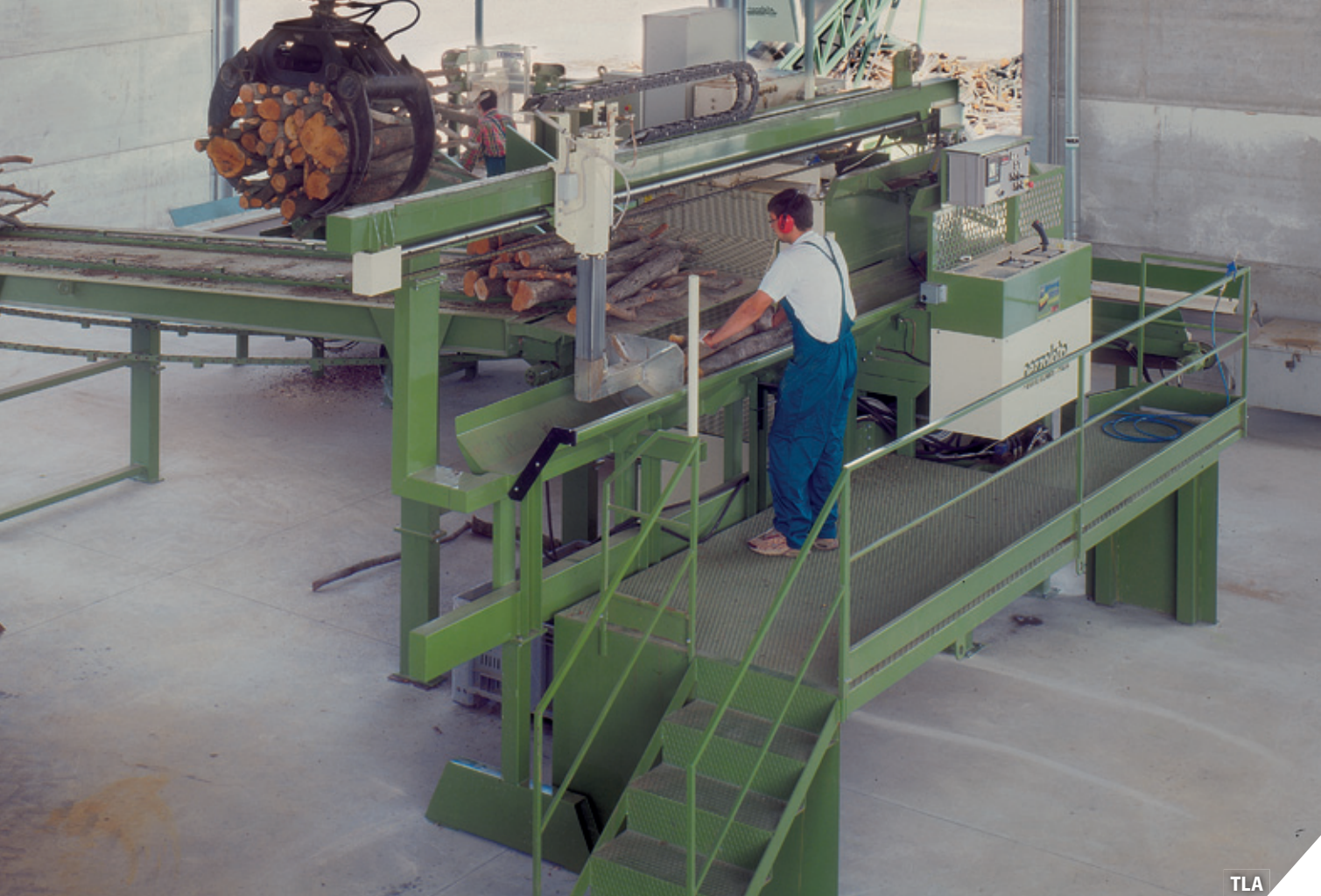
TL 1000 PROFESSIONAL and TLA machines are provided with all safety devices in compliance with the current regulations. They allow processing wood in a reliable, safe and effective way and guarantee high production capacity.

14 tons splitting unit with 2/4 or 2/6 folds grid



20 to 32 tons splitting unit with multi-folds grid





TLA

PEZZOLATO A 360° COMPANY

REALIZATION

A continuous R&D program supports Pezzolato machines' development and manufacturing. Such activities are totally performed in house; own specialized personnel follows any single step up to the delivery of any machines.

COMPONENTS

All hydraulic, electric and electronic components mounted on Pezzolato machines are supplied exclusively by prime-quality European manufacturers.

ASSISTANCE

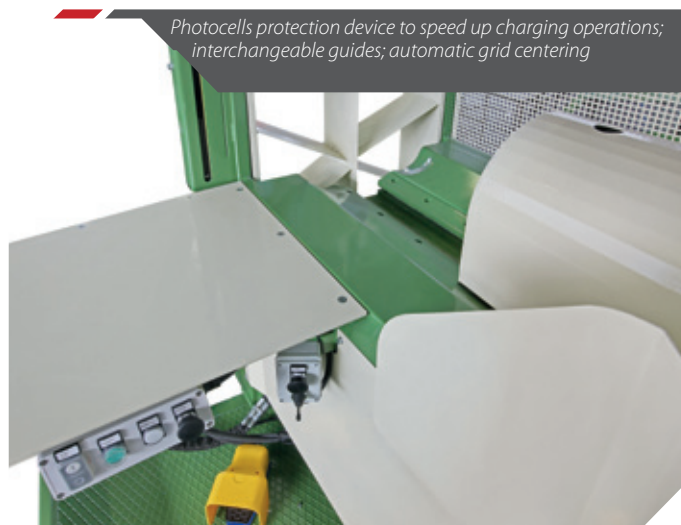
Technical assistance is provided quickly and performed by own personnel. Specialized Pezzolato technicians are always available to intervene directly or to support local authorized dealers and service facilities.

SPARE PARTS

Thanks to its large stock, Pezzolato is able to send and deliver any spare parts at customers' premises all over the world, within 24/48 hours.



Chain locking system. It works either with bundles and with logs



Photocells protection device to speed up charging operations; interchangeable guides; automatic grid centering

EXTRAS AND CONFIGURATIONS

Pezzolato SpA cares for its customers' needs and listens carefully to the machines' end-users, further being a flexible and versatile company. Pezzolato machines can be customized through a series of extras, i.e.:

- ▼ **Three-chains log loader**, recommended for 1m long logs. Availability of mechanical edges to restrain wood. The best loader is provided according to the wood to be processed.
- ▼ **Loading dumpers**, to process big size logs. Shock absorbers.
- ▼ **Hydraulic log turner**, to manage irregular shaped logs.
- ▼ **Lifting wood pusher**, to load a new piece of wood in the feeding throat while still cutting, speed-up the working cycle and improve the machine production capacity.
- ▼ **Control panel / computer**. Tested electronic control systems guarantee fast working cycles, optimize the machine production capacity and efforts.
- ▼ **Cleaning rollers** on conveyors, to separate barks, sawdust and wood blocks.
- ▼ **Multifold grid**, further to the standard 2+4+6 and 2+4+8 folds grid.
- ▼ **Mobile version**, to process wood directly in the forest.
- ▼ **Raised plant**, for easy maintenance and cleaning.
- ▼ **Extra splitting units**, to improve the plant productivity or to refine logs.
- ▼ **S-shaped band** to transfer and cumulate up to 2 m³ of cut wood. Available in extra long version as well, to contain more wood.
- ▼ **Cyclon Aspirator**, big-pieces trap and collecting system in "big bag" sacks. As an alternative, single aspirator to remove sawdust from the machine.
- ▼ LCD and hydraulic oil **heaters** for machines that works under 0°C.
- ▼ **Woodsplitter energy recovering system**, to speed up the working cycle.
- ▼ **Powered splitting force**.
- ▼ **Tailor made configurations**, to install plants in narrow places.



Control panel / computer



Three-chains log loader



Aspirator



Cleaning rollers



Loading dumpers

Exclusive accessories for the model TLA



Loading dumpers



Log turner



Lifting wood pusher

HORIZONTAL WOOD SPLITTER FOR PROFESSIONAL WORKERS

Horizontal wood splitter provided with:

- ▼ Hydraulic piston with 40 or 50 ton splitting force, 2100 mm passage
- ▼ Hydraulic adjustable cross wedge

PTO drive or with own electric motor, 15 Kw for 40 tons models and 18,5 Kw for 50 tons models.

Provided with radio remote control to manage all functions, it can be driven by one operator only, who sits on an external charger and loads big diameter logs, to prepare them for drying before any further processing, or to reduce their size if they are too big to be cut by a disc saw.



BAND CONVEYOR FOR CUT WOOD

Conveyor with gummi band, 500 mm wide, 5 up to 15 m long.

Totally hydraulic functioning. In its standard version it is provided with: edges, drawbar, two fixed wheels and two wheels for manual moving. Tailor made configurations available on request, with two manually swiveling wheels, thrust bearing to fix the conveyor on the ground and rotate it 45° right or left hand (hydraulic motorized wheels available in this case).



AUTOMATIC PALLET PACKER

Machine conceived to pack firewood for Europallet transportation.

It matches with whatever wood conveyor.

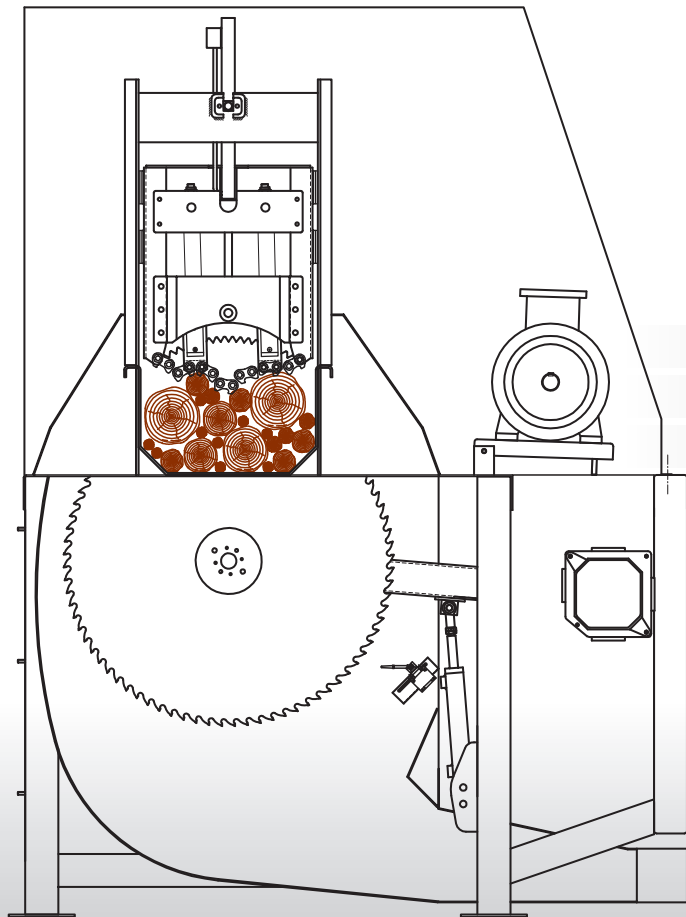
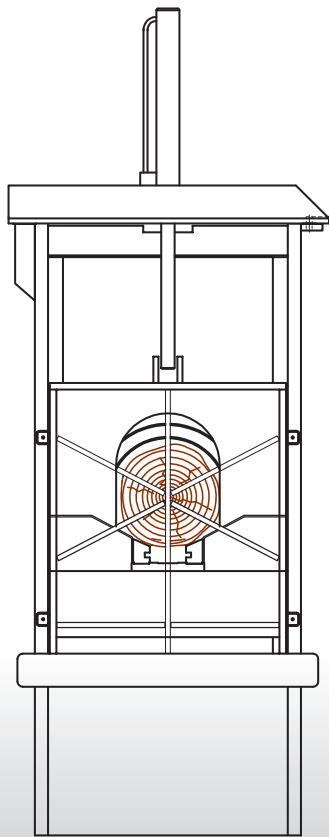
It is provided with an hydraulic system to move the pallet:

- ▼ Shaking the pallet, it compacts the wood pieces inside the sack and makes the pack steady
- ▼ Helps extracting the pallet once the pack is ready for transportation
- ▼ Machine's indicative measures: 150 x 225 cm
- ▼ Pack dimension: 1,6 m³

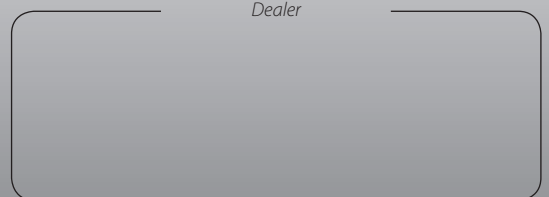


TECHNICAL FEATURES		TL 1000 professional	TLA 10	TLA 12	TLA 13
Disc (with hard metal tipped teeth) diameter	mm	1000	1000	1200	1300
Max log diameter	mm	400	400	480	520
Splitting force	Ton	20-32	20-32	20-32	20-32
Minimum tractor power *	Hp/Kw	60-52	60-52	60-52	80-59
Electric motor power	Kw	30	30	37-45	37-45
Hydraulic splitting grid/ wedge	folds	2+4+6/8	2+4+6/8	2+4+6/8	2+4+6/8
Cutting length	cm	25-60	25-60	25-60	25-60
Weight*					

*The above mentioned data may vary according to the machine setting



Dealer



Pezzolato Officine Costruzioni Meccaniche SpA
 Via Provinciale Revello, 89 | 12030 Envie (CN) ITALIA
 Tel. +39 0175 278077 | Fax +39 0175 278421 | info@pezzolato.it

www.pezzolato.it