

▶ PTH SERIES
PTH ALL ROAD

ENG



DRUM CHIPPERS

Whatever wood, the best chips



GREENLINE

THE CHIPPER PTH ALL ROAD





2

- 1 - Hood for knives change and sieving grid
- 2 - Hydraulic fan
- 3 - Liftable and adjustable panoramic cabin
- 4 - Tools compartment
- 5 - Two extra axles for road circulation
- 6 - Nr. 4 stabilising feet
- 7 - Heavy Duty drum for high inertia
- 8 - Easily accessible technical compartments
- 9 - Easily accessible and wide engine compartment
- 10 - Webasto pre-heating system



3



4



6



5



PTH ALL ROAD

The top of Pezzolato's range

- ✓ Maximum mobility thanks to the four driving wheels (NOKIAN 650-65 R38), all steering, allowing three steering modes: both axles together, each axle individually or the front axle only.
- ✓ Nr. 2 further axles in order to allow road circulation: they distribute the vehicle mass thus increasing the driving comfort.
- ✓ Towing hooks (front and rear): they allow the emergency towing in case of vehicles blocked by mud thanks to the hydrostatic transmission.
- ✓ Driven by VOLVO PENTA TWD 1683 VE engine, Stage V, 6 cylinders, 16.12 litres, 585 kW, 796 Hp, 3650 Nm or CAT C18 engine, 6 cylinders, 18.1 litres, 563 kW, 755 Hp, 3504 Nm.
- ✓ Crane Palfinger Epsilon S110F104, arm's length 10,1 m with clamp FG31R and electric controls by means of joysticks. Positioned at the very center of the machine for better distribution of weights for both during transport and the working phase, avoiding abnormal twisting on the vehicle frame.
- ✓ Nr. 4 stabilising feet, two with side exit, in order to optimize the machine stability and thus increase the operator's comfort.





- ✓ Wide loading hopper especially designed for the processing of voluminous material, equipped with a feeding chain, 1400 wide and positioned at 1050 mm from the ground for faster loading operations, either with little piles or great stacks of wood.
- ✓ Pezzolato's closed drum, well known for its reliability and guaranteed to last the machine's lifetime; designed to guarantee quality chips both small and big size. Drum width 1400 mm with a weight of about 4500 kg: it is staggered drum in order to better distribute the machine stress, decreasing vibrations, noise and fuel consumption.
- ✓ Interchangeable grid for chips calibration and triple screws for chips evacuation (optimal with any type of material).





THE CABIN

Control systems and board

- ✓ Comfort cabin, which can be adjusted in height and in all directions to improve the visibility of the loading area and of the unloading conveyor during the use of the crane. Wholly glassed and air-conditioned, it has all controls for total management of the machine either during the machine drivings and during the chipping phase.
- ✓ Large dimension of the two displays for the best view, single or simultaneous, of the video cameras provided as standard (one display focuses on the reverse and the other on the unloading conveyor).





- ✓ N. 1 display LCD 7" for the vehicle's control.
- ✓ N. 1 display LCD Touch Screen 12.1" for the control during the chipping phase.
- ✓ Optimized software that assures that the operator can displace the vehicle in the middle of the yard without stopping the chipping; it can pass automatically from the configuration on the road to the working one in less than 60 seconds.
- ✓ Router GSM for the remote servicing.
- ✓ Second passenger seat homologated for the circulation on the road up to 40 Km/h.





THE FAN

Expulsion hydraulic system

- ✓ Fan for the expulsion of the chips, hydraulically driven with stepless change of speed so that the rpm can be adjusted according to the real needs, reducing consumption and the production of too fine chips. The speed, adjusted by the operator, is kept constant by the system, even if the r.p.m. of the main engine changes.
- ✓ Fan's opening hydraulic system to facilitate the access in case of cleaning operations and/or ordinary maintenance.





- ✓ New conveyor design: it allows the unloading of material on vehicles positioned in front of the cabin, by the side or at the engine's rear side thanks to the possible rotation up to 270°.
- ✓ Fan's and unloading conveyor's wearing parts are composed by wear proof plates including a standard steel base and some carbide units (CDP - Castodur Diamond Plates). The CDP is actually the best solution on the market for wear proofing uses while working with wood.



PTH ALL ROAD ACCESSIBILITY



1



2





- 1 - VOLVO PENTA TWD 1683 VE engine, 796 Hp, 585 kW or CAT C18 engine, 755 Hp, 563 Kw
- 2 - Automatic greasing system
- 3 - Platform for the knives changing in safety
- 4 - Electric pulley for the changing of the sieving grid
- 5 - Comfortable knives compartment and battery torque wrench





THE CHIPS' QUALITY

The cut system used by Pezzolato is composed by a closed drum with staggered sections equipped with knives, a counter-knife and an interchangeable calibrating grid.

This system guarantees the production of quality chips, since the closed drum maintains the chips' cut length fixed and constant.





The wood, which undergoes the action of the knife, is transformed into calibrated chips, which can pass through the calibrating grid immediately after the cut.

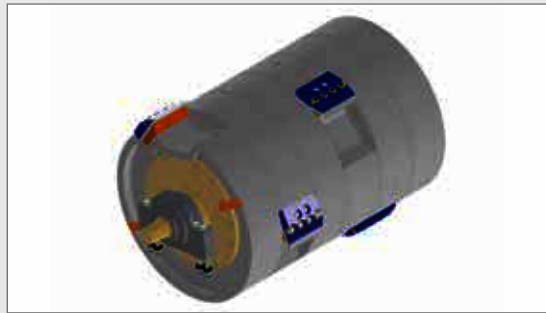
For any customer's need, either micro chips for the production of pellets or extra-big chips for the improvement of big boilers' efficiency, Pezzolato has the best knowledge and thus offers the best cut technology, thanks to its year long experience and the constant research of specific and dedicated solutions.



Pezzolato's cut solutions

DRUM "EVOLUTION" OR "HEAVY DUTY" VERSION

The Pezzolato closed drum, known for its reliability and maintenance-free life, has been designed to guarantee quality chips of both small and large dimensions and is of the "sector" type to better distribute the effort of the machine, for the benefit of a reduction of vibrations, noise and consumption. The clean cut guaranteed by the knives and the great inertia of the drum reduce efforts and stresses, confirming the recognized solidity of Pezzolato chippers.

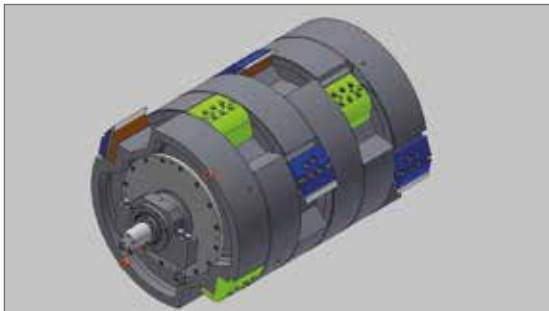


Single-Double Cut

Especially designed to produce big and middle-small chips

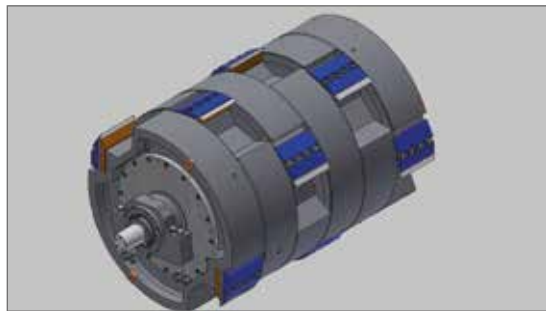
SINGLE-CUT CONFIGURATION

(6 blades, 6 blanking plates, one cut each revolution) to produce big size chips.



DOUBLE-CUT CONFIGURATION

(12 blades, two cuts each revolution) to produce middle-small size chips.



The passage from the mono to the double cut configuration is possible by changing the 6 blanking plates to 6 blades, the grid with another one with suitable hole diameters, and replacing the counter-blade.

The double-cut configuration allows the production of high quality chips deriving from branches, sawmill waste, craps and low value material, without reducing the machine's performance and productivity.

CUT GROUP

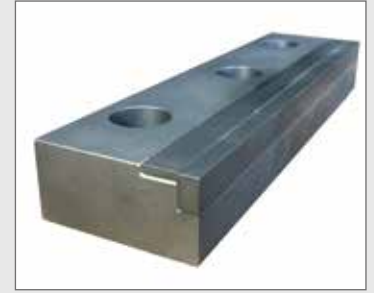
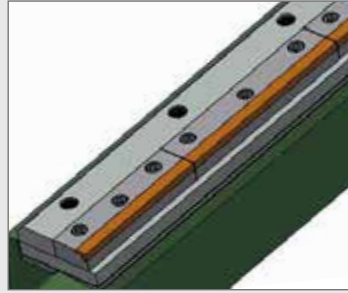
Cut group for the maximum exploitation of the wear components composed by:

- ✓ Under knife fixed to the drum by means of screws;
- ✓ Knife with eyelets (easy extraction and adjustment of the rear screws);
- ✓ Press knife with multiple stud bolts for a facilitated screwing.



COUNTER-BLADE

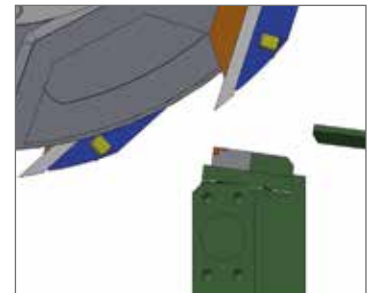
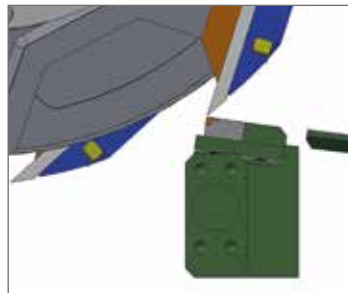
The counter-blade is composed by 6 independent sections. This feature allows, in case of wear or damage, the partial replacement only worn-out or damaged sections avoiding to replace the complete unit and thus saving on the maintenance costs. It is available in two wear proof versions: CHIPPER (steel for tools) or with a standard steel base and a reinforced part (hard metal with tungsten carbides).



Safety against the introduction of foreign bodies

COUNTER-BLADE WITH HYDRAULIC OPENING

The counter-blade is assembled on a support, fixed to a hydraulic cylinder connected to a lung charged with nitrogen. Should any pieces of metal, stone, or concrete (...) enter into the machine, the lung makes the counter-blade open creating more space for the foreign body; at the same time, together with the opening of the counter-blade, the feeding direction is inverted (in case of independent engine, the friction stops) thus avoiding damage.



Technical features

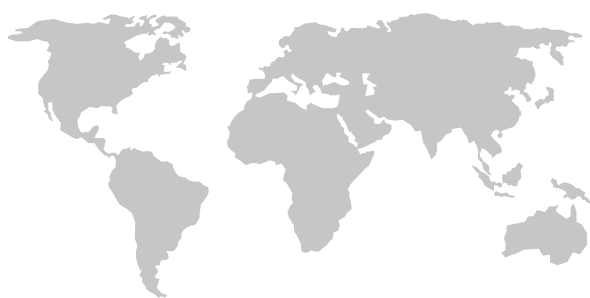
		PTH 1400/1000
VOLVO PENTA TWD 1683 VE engine power (engine torque 3650 Nm)	Hp/kW	796/585
CAT C18 engine power (engine torque 3504 Nm)	Hp/kW	755/563
Turning radius	m	8,5
Maximum chipping diameter*	mm	800
Maximum inlet passage	mm	1400 x 1100
Blades	nr	6/12
Drum diameter	mm	1000
Drum width	mm	1400
Feeding chain length	mm	2000
Feeding chain width	mm	1400
Hopper width	mm	1750
Hopper's height from the ground	mm	1050
Hourly throughput*	m ³ /h	up to 380
Machine's total length	mm	10460
Machine's total width	mm	2550
Machine's total height	mm	3860
Weight	Kg	32000
Maximum technical speed	Km/h	80

Please check with the producer the availability and the kind of homologation for the registration country

* Diameters and declared production are variable according to the available power, wood type and chip size

WHATEVER WOOD, THE BEST CHIPS

www.pezzolato.com



DEALER

Pezzolato Officine Costruzioni Meccaniche S.p.a.
Via Provinciale Revello 89, 12030 Envie (CN) - ITALIA
Tel. (+39) 0175 278077 - Mail: info@pezzolato.it